

**Expanded
AEROMIX
Product Line
Includes
All Major
Wastewater
Aeration
Technologies**

DIFFUSED AIR

MIST™ Packaged Diffused Air System

Complete System Includes All Components.

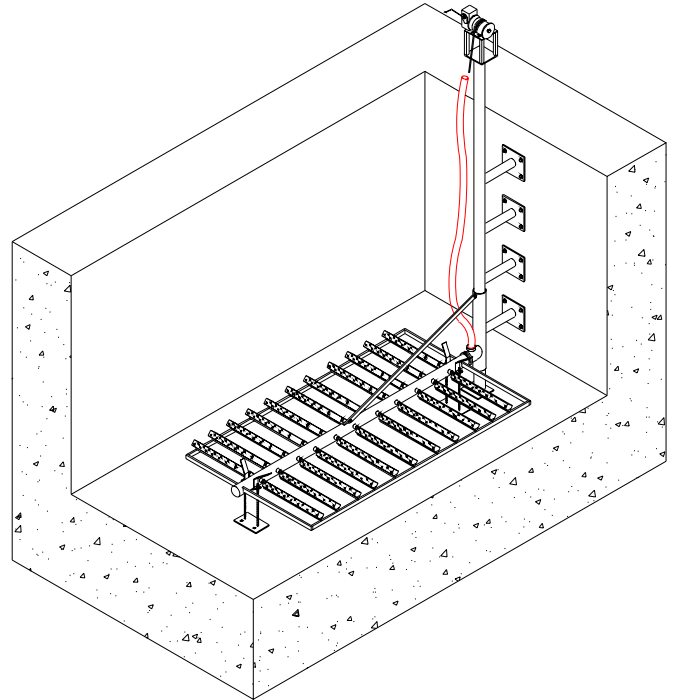
The MIST Packaged Diffused Air System (PDAS) comes complete with diffusers, drop pipe assembly, air header and flexible air supply hose. An optional blower can be added. Simply install the drop pipe, connect the header, wire the blower, and your MIST (PDAS) is complete. You can be up and running with a state-of-the-art fine bubble diffuser system in minutes.

Easily Serviceable.

No worry about servicing a MIST (PDAS). It's unique design raises and lowers to allow replacement of diffusers without draining the basin. This saves operating costs and assures that you always maintain top performing diffusers, providing the highest oxygen transfer. Quality stainless steel piping is used for all drop pipes assuring long corrosion-free equipment life.

Use Individually Or In Groups.

The MIST (PDAS) can be used by itself in most any basin or they can be combined to provide extensive coverage in large basins. MIST (PDAS) can also be arranged to provide tapered aeration and mixing to meet specific process needs.



Extensive Applications.

MIST™ Packaged Diffused Air Systems provide effective aeration and mixing in a wide range of applications, including:

- * Activated Sludge Wastewater Treatment
- * Oxidation Ditches
- * Supplemental Aeration
- * Water Treatment
- * SBR's

Installs in Existing Basin.

No need to drain the basin to install a MIST PDAS. Our special design simply attaches to the top wall with anchor bolts.

Top Quality Materials.

The drop pipe and lifting assembly is stainless steel for corrosion and maintenance free operation. Horizontal headers are available in a variety of materials.

Fine Bubble or Coarse Bubble Diffusers.

Each MIST PDAS can be supplied with either fine bubble membrane disk diffusers, fine bubble membrane tube diffusers, or stainless steel coarse bubble diffusers. All diffusers are supplied by AEROMIX and provide excellent oxygen transfer and low head loss.

DIFFUSERS

Coarse Bubble Diffuser.

CYCLONE Diffusers feature 3 rows of air ports, each providing a separate level of air discharge. The diamond shape design shears bubbles into smaller bubbles as they rise. Both features work to improve overall oxygen transfer efficiency. Open end ports change the bubble pattern at the surface to signal operators should the diffuser ever become clogged. The sturdy all stainless steel design resists warping and bending that sometimes occur with open bottom diffusers during high heat and/or stress applications. A cast end piece ensures maximum strength and resists vibration induced fatigue.



Coarse Bubble Technical Data.

Length:	24 inch (61 cm) & 12 inch (31 cm)	Height:	3 1/4 inch (8.25 cm)
CFM Range:	1 to 30 for 24 inch diffuser 1 to 15 for 12 inch diffuser	Connection:	3/4 inch (1.90 cm) MNPT Schedule 80
		Material:	304 or 316L stainless steel

Fine Bubble Diffusers.

Fine bubble diffusers, available in both disk and tubular configurations, feature a flexible EPDM rubber membrane custom-manufactured with more than 7,000 regularly spaced perforations that flex during operation, effectively preventing clogging and debris contamination. An integral check-valve stops back flow when the air is turned off. EPDM offers extreme chemical resistance and long life in most applications while minimizing head loss and maximizing oxygen transfer efficiency.

Fine Bubble Technical Data.

DISK CONFIGURATION

Diameter:	9 inch (240 mm)	Height:	2 inch (55 mm)
CFM Range:	0.5 to 5 cfm per diffuser	Connection:	3/4 inch (1.9 cm) MNPT Schedule 80
		Material:	Flexible EPDM rubber membrane



TUBULAR CONFIGURATION

Length:	24 inch (61 mm)	Diameter:	2.5 inch (64 mm)
CFM Range:	0.5 to 5 cfm per diffuser	Connection:	3/4 inch (1.9 cm) MNPT Schedule 80
		Material:	Flexible EPDM rubber membrane

Aeration Knowledge. Wide Range Of Products.

AEROMIX is your aeration expert. We offer all major wastewater aeration technologies and the expertise to help you select and apply the equipment best suited for your application. Let our technical experts assist you in proper sizing, layout, and operation of your aeration system.

Made in the U.S.A. by



AEROMIX Systems, Inc.
7135 Madison Ave. West
Minneapolis, MN 55427 U.S.A.

Ph: **800/879-3677**, 763/746-8400
Fax: 763/746-8408
e-mail: aeromix@aeromix.com
web site: www.aeromix.com

Rental units available.
© 1999, AEROMIX Systems, Inc.