

Expanded  
**AEROMIX**  
 Product Line  
 Includes  
 All Major  
 Wastewater  
 Aeration  
 Technologies

# DIFFUSED AIR

## Custom Coarse Bubble Diffuser Piping Systems

### Installation Flexibility.

AEROMIX supplies complete coarse bubble aeration systems, including custom stainless steel piping systems. Our complete line of associated accessories are designed to meet your specific needs including air headers, manifolds, pipe supports, swing arm joints and related piping. Air headers are of a lightweight stainless steel construction designed to minimize pressure loss. They are custom designed and constructed to fit any tank or basin and include a special cast tee diffuser connection for maximum strength.

### Quality Construction.

All stainless steel components ensure maximum life and exceptional corrosion resistance in any wastewater. Piping is fully welded and passivated giving a strong corrosion-free

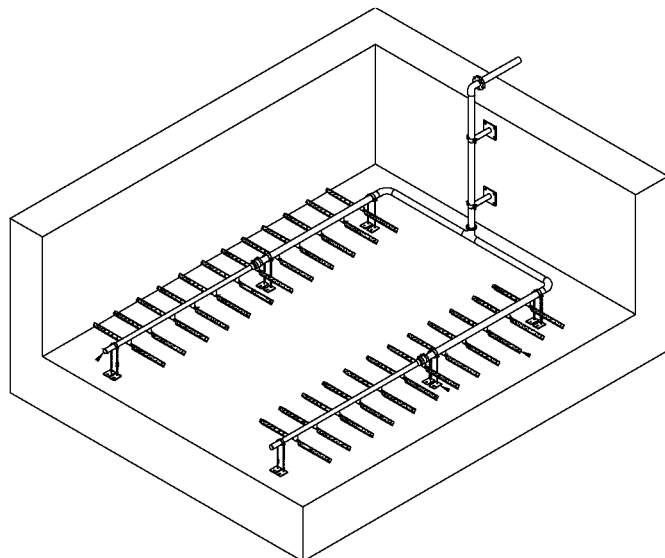
overall assembly. Easily adjustable legs and mounts let you properly level the entire piping array for consistent air flow through all diffusers.

Diffusers are

attached using a rugged

welded-on cast tee which is

resistant to all normal vibration stress. Expansion joints are used to prevent warping in large piping arrays.



### Extensive Applications.

Custom piping systems have many uses:

#### APPLICATIONS

- \* Activated Sludge Basins
- \* Aerated Grit Chambers
- \* Deep Aeration Basins
- \* Aerobic Digesters
- \* Sludge Storage Tanks
- \* Basin Channels
- \* Post Aeration Basins
- \* VOC Stripping

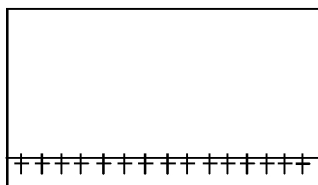
#### INDUSTRIES

- \* Pulp & Paper Mills
- \* Food & Meat Processing
- \* Municipal Wastewater Treatment
- \* Dairies
- \* Breweries
- \* Wineries
- \* Groundwater Remediation

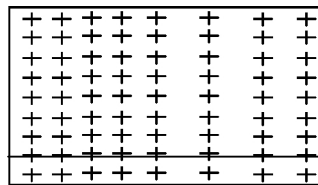
### Design Experience.

Let our aeration experts configure the most efficient custom diffused air piping system for your basin. We have experience with grid systems, tapered air systems, spiral role systems, trench systems and others, with both fixed and removable headers.

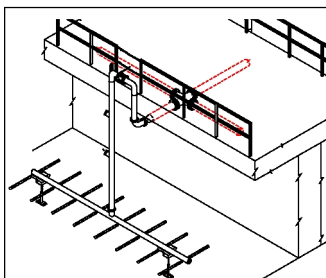
**Spiral Roll System**  
*(diffuser placement)*



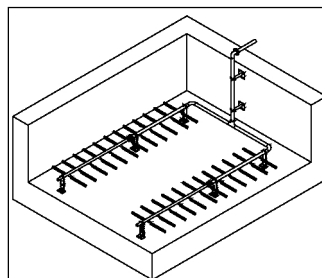
**Tapered Aeration System**  
*(diffuser placement)*



**Removable Header**



**Fixed Header**



---

# CYCLONE™

## Coarse Bubble Diffuser



### Proven Performance.

CYCLONE Coarse Bubble Diffusers are the proven performer with years of non-fouling experience in nearly every kind of wastewater. Simple to install and no scheduled maintenance make them perfect for any coarse bubble system.

### Unique Bubble Shearing Action.

Due to the CYCLONE Diffusers unique bubble shearing action, efficiency is greatly improved. Air exiting through the large ports is sheared and distributed into the liquid. Unlike membrane or media diffusers, the CYCLONE is virtually non-fouling and features a unique diamond shape combined with a bottom deflector to keep debris from entering the diffuser.

### Non-Fouling Design.

CYCLONE Diffusers feature 3 rows of air ports, each providing a separate level of air discharge. The diamond shape design shears bubbles into smaller bubbles as they rise. Both features work to improve overall oxygen transfer efficiency. Open end ports change the bubble pattern at the surface to signal operators should the diffuser ever become clogged. The sturdy all stainless steel design resists warping and bending that sometimes occur with open bottom diffusers during high heat and/or stress applications. A cast end piece ensures maximum strength and resists vibration induced fatigue.

### Technical Data.

Length: 24 inch (61 cm) & 12 inch (31 cm) Height: 3 1/4 inch (8.25 cm)

CFM Range: 1 to 30 for 24 inch diffuser      Connection: 3/4 inch (1.90 cm) MNPT Schedule 80  
1 to 15 for 12 inch diffuser                      Material: 304 or 316L stainless steel

### Aeration Knowledge. Wide Range Of Products.

AEROMIX is your aeration expert. We offer all major wastewater aeration technologies and the expertise to help you select and apply the equipment best suited for your application. Let our technical experts assist you in proper sizing, layout, and operation of your aeration system.



**AEROMIX Systems, Inc.**  
7135 Madison Ave. West  
Minneapolis, MN 55427 U.S.A.

Ph: **800/879-3677**, 763/746-8400  
Fax: 763/746-8408  
e-mail: [aeromix@aeromix.com](mailto:aeromix@aeromix.com)  
web site: [www.aeromix.com](http://www.aeromix.com)

**Rental units available.**  
© 2007, AEROMIX Systems, Inc.